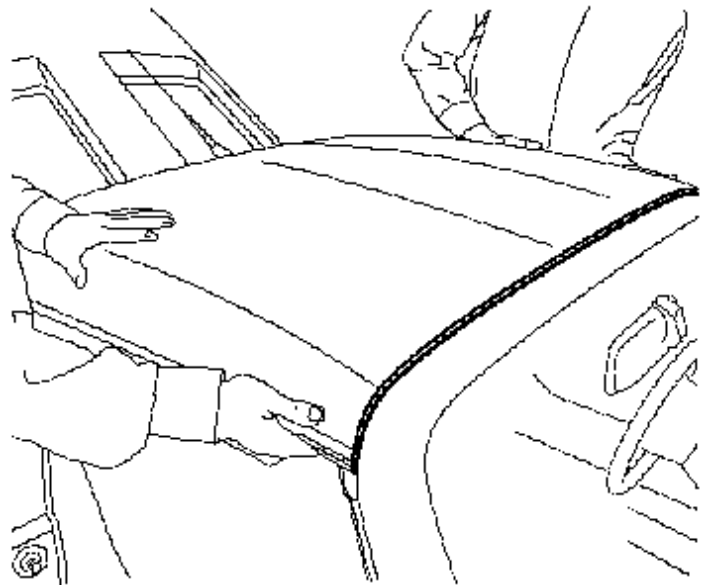
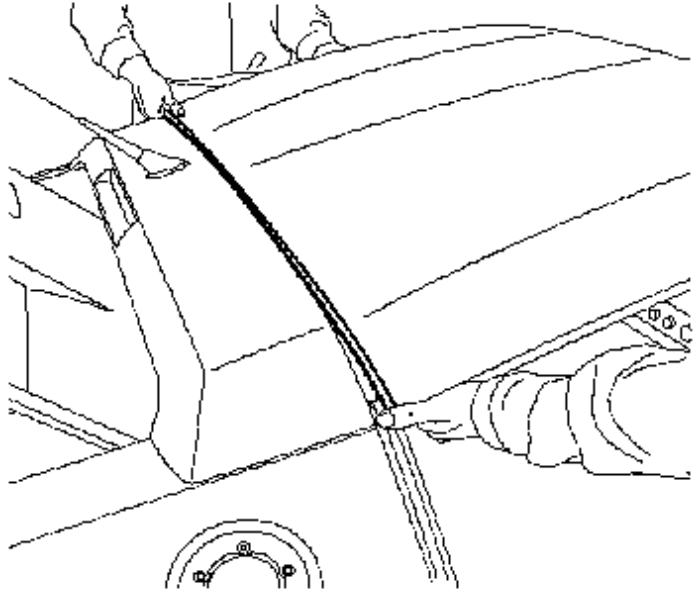


Hard Top, Adjust



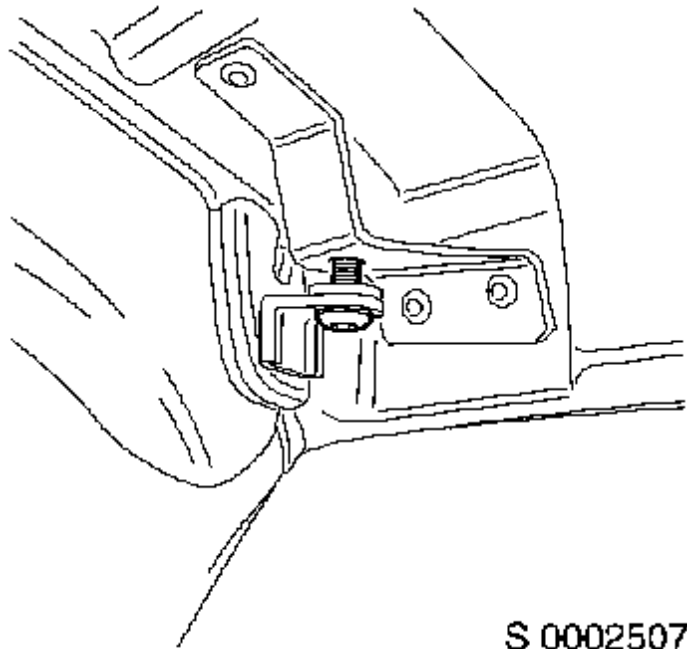
Adjust

1. Ensure rear bracket's of hard top assembly are loose
2. Position hard top on vehicle
 - Locate rear edge of hard top to rear header rail
 - Lower front edge of hard top to front header rail
 - Push hard top fully forward



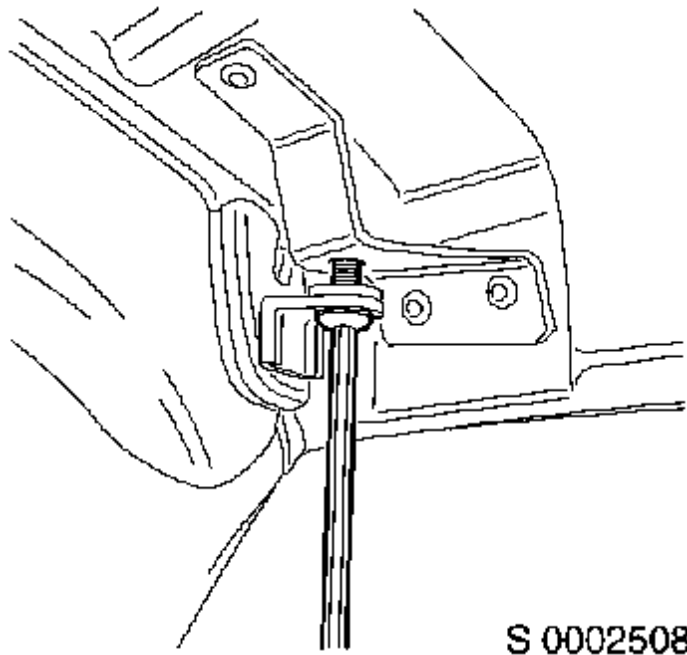
S 0002506

3. Loosely install 2x front tethered bracket
 - Loosely install 2x bolt



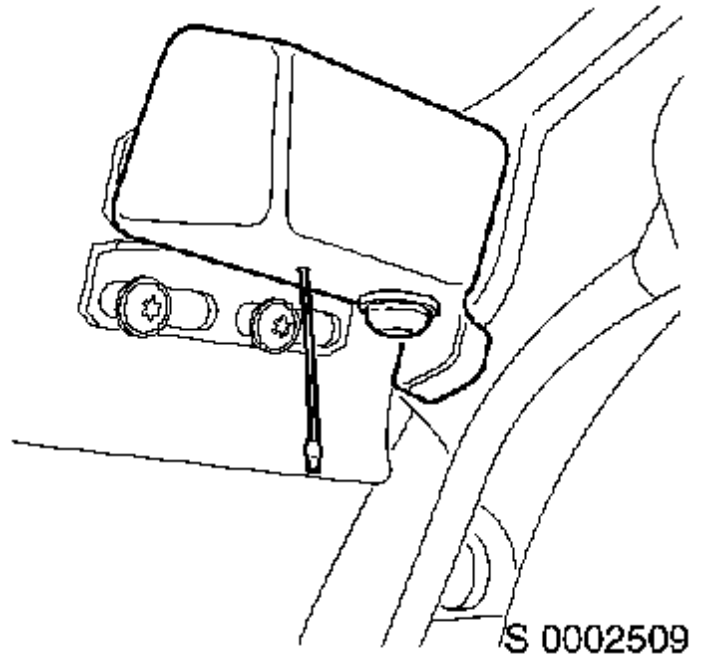
Important: Use of any other tooling may damage vehicle parts

4. Secure 2x front tethered bracket
 - Ensure hard top is centrally located to front header rail
 - Secure 2x bolt
 - Use tool provided

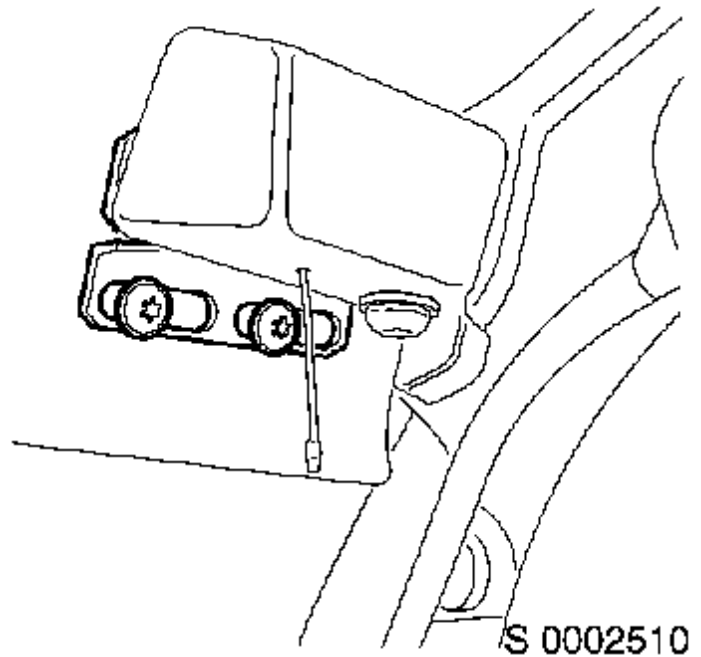


Important: Use of any other tooling may damage vehicle parts

5. Install 2x rear tethered bracket
 - Ensure engagement with rear cantrail bracket
 - Install 2x bolt
 - Use tool provided

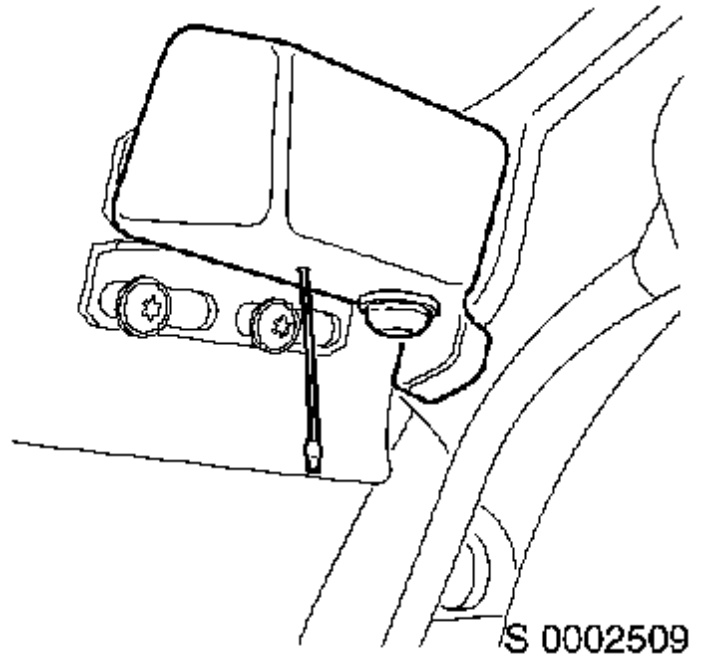


6. 2. Push hard top fully forward to obtain maximum contact with front header seal
 - 2x technician required
7. Secure lower fixing's of 2x hard top bracket
 - Tighten 4x bolt **10 Nm**
 - Note:** Maintain maximum contact with front header seal.

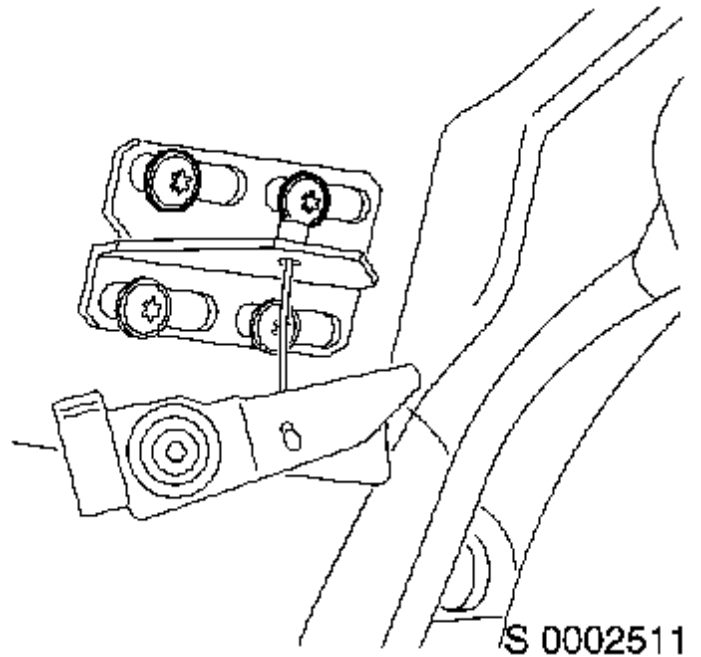


Important: Use of any other tooling may damage vehicle parts

8. Remove 2x rear tethered bracket
 - Remove 2x bolt
 - Use tool provided
 - Note:** To gain access to upper fixing's of 2x rear hard top bracket

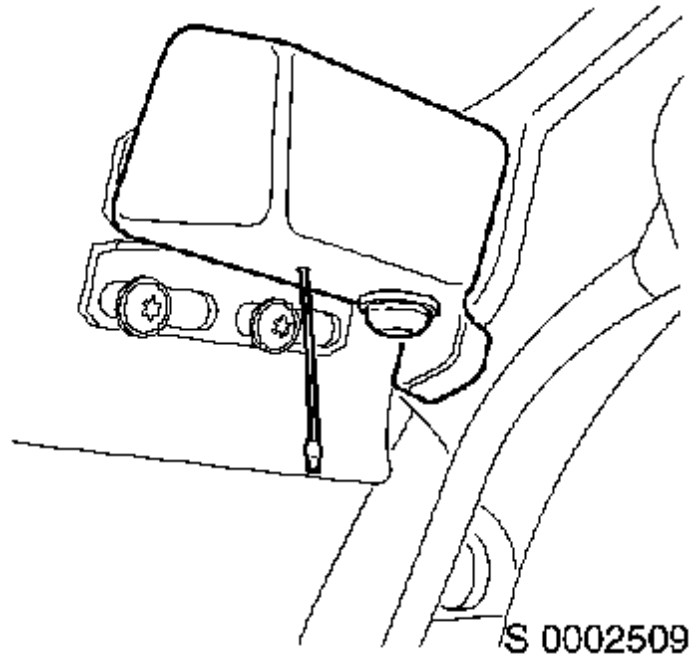


9. Secure upper fixing's of 2x rear hard top bracket
- Tighten 4x bolt **10 Nm**



Important: Use of any other tooling may damage vehicle parts

10. Install 2x rear tethered bracket
- Install 2x bolt
 - Use tool provided



11. Check seal of front header rail for integrity
12. Check position of hard top
 - Close doors
 - Raise door glass fully
13. Adjust door glass if necessary - see operation "Door Window, Remove and Install"